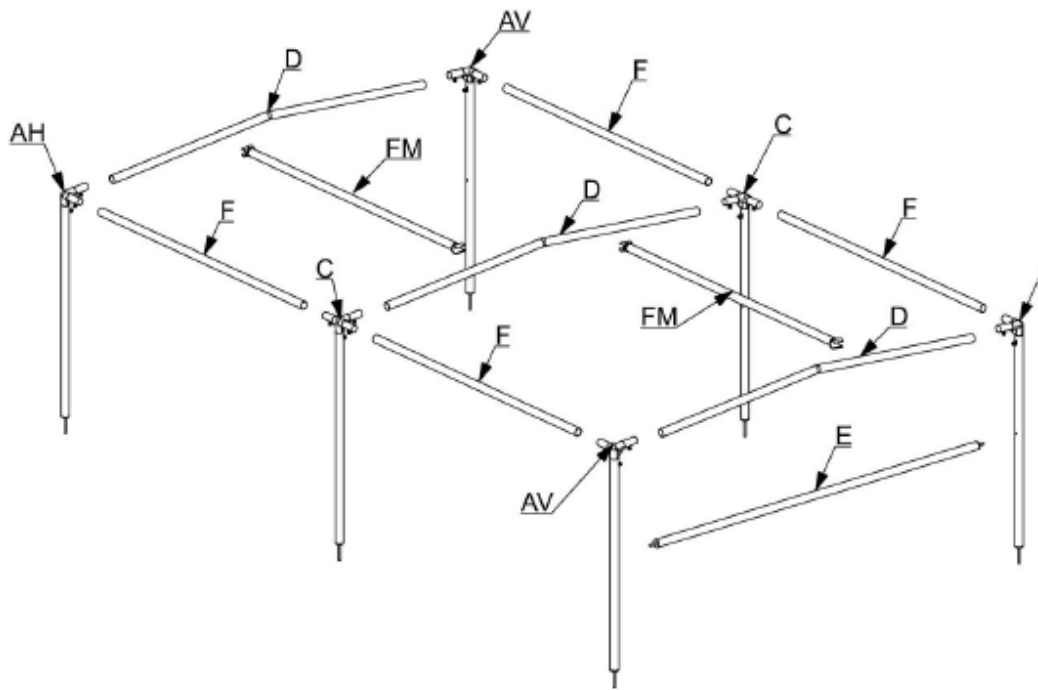
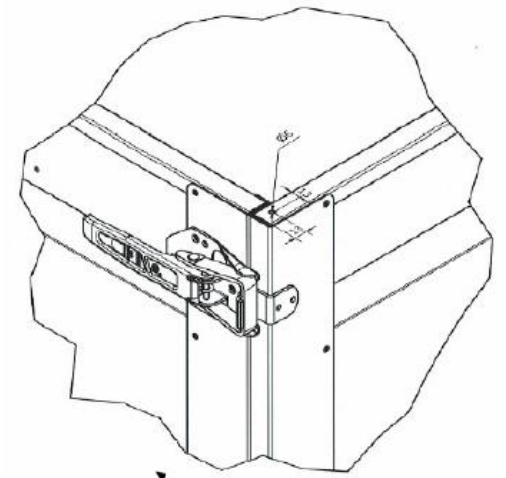


# VERZION



BORING AF HULLER I TRAILERSIDER  
DRILLING OF HOLES IN TRAILER SIDE BOARDS



Ø6 MM HUL MIDT PÅ TRAILERSIDEN  
Ø6 MM HOLE ON CENTER OF TRAILER SIDE BOARD